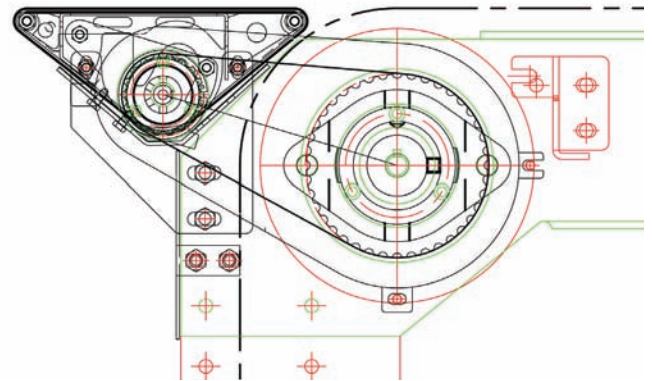
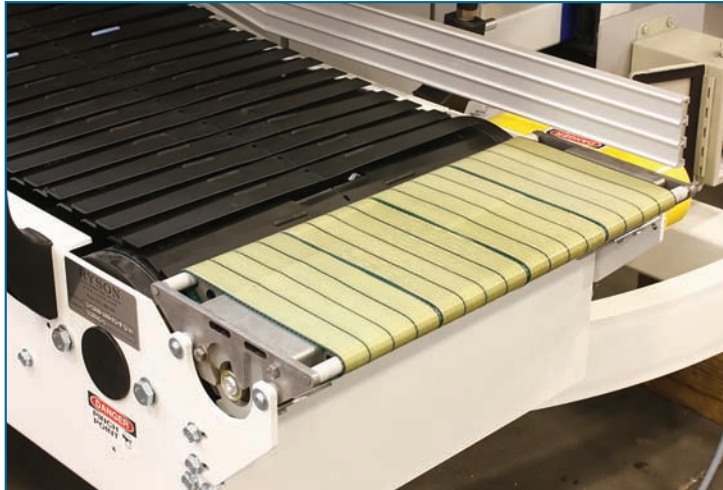


POWERED TRANSFER

Interfacing with large pulleys for small part transfers

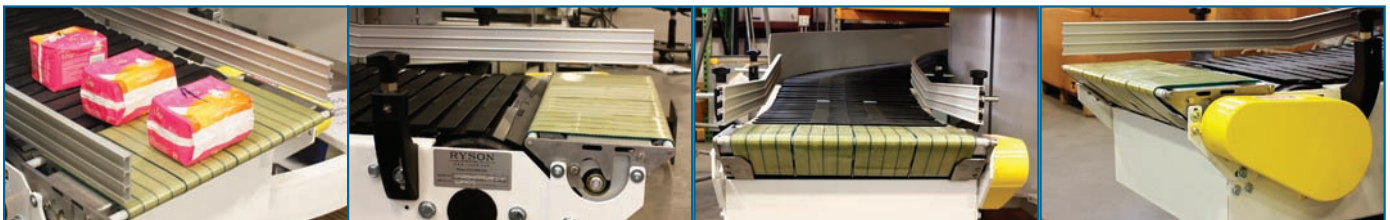


Smoothly Transfer Parts Smaller than 2"

Maintain Product Speed Through Transfer

Compact, Space Saving Design with Minimal Length Added

The powered transfer incorporates precision timing belts for consistent tracking and speed; plus maintenance free operation. Timing belts smoothly travel over 1/2" nosebars for ease of product transfer. The innovative transfer module can be added to any Ryson Spiral Conveyor.



RYSON
INTERNATIONAL, INC

VERTICAL CONVEYING SOLUTIONS

Ryson is the number one Spiral Conveyor manufacturer in the USA.
For application assistance or more information, give us a call or visit www.ryson.com